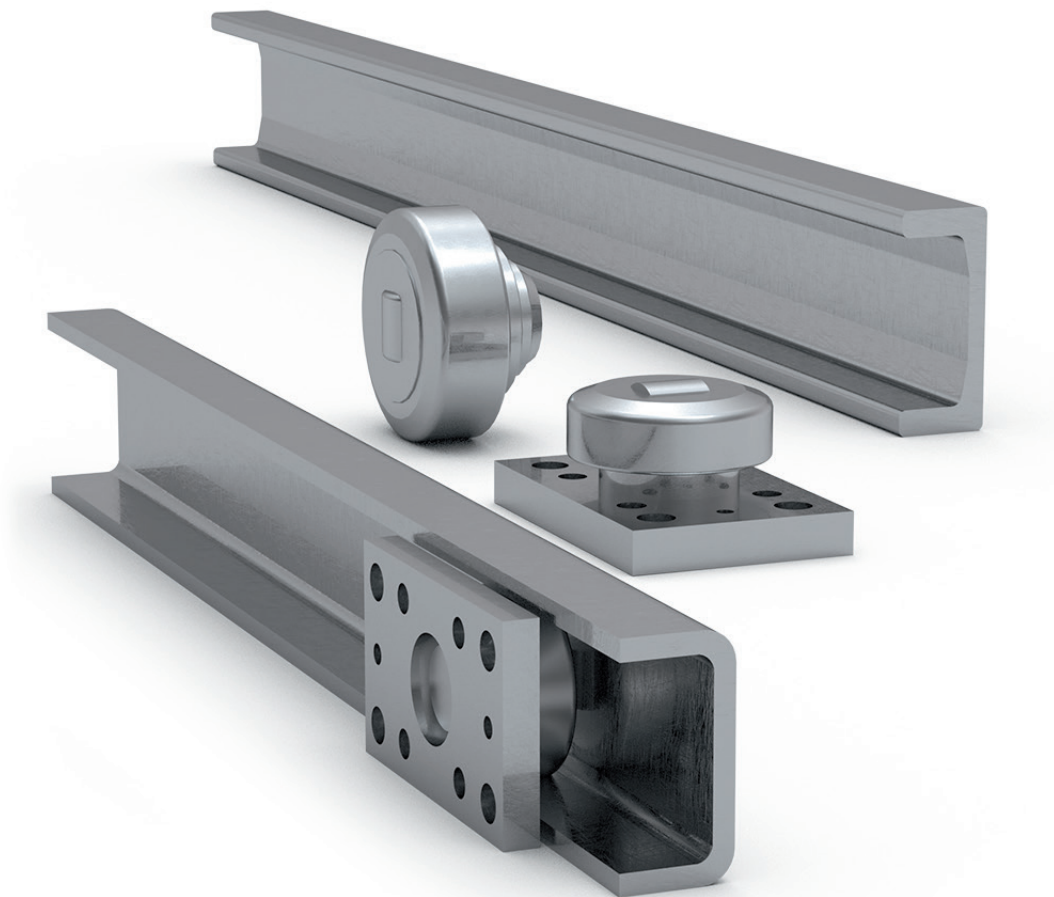


TECHNICAL INFORMATION

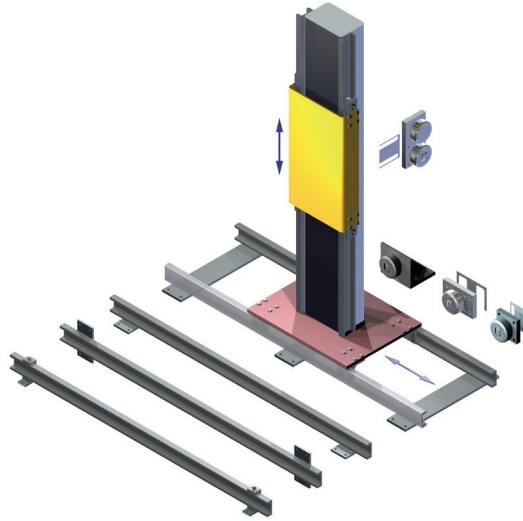
U-RAIL



Information in this document is subject to change. Owing to continued product development, Rollco reserves the right to make alterations without prior notice. Every care has been taken to ensure the accuracy of the information, but no liability can be accepted for any errors or omissions.

All information and content included in this document, such as text, and images, are property of Rollco. Any reproduction, even partial, is allowed only by written permission by Rollco.

Product overview



U-Rail is robust system where precision is secondary. The profiles can be welded on existing constructions and the rollers can be delivered with or without assembly plates. The U-Rail system is designed to compensate for deviations in parallelism.

U-rail is available in three different sizes in steel or stainless steel AISI 304, which makes it suitable for applications in very demanding environments. The profile material is easy to weld and offers high wear resistance and fine grained structure.

For smaller loads or high speed, it is possible to get polyamide rollers for a quieter and smoother operation.

Technical data

Tolerances

The bearings are manufactured according to DIN 620, class PN (PO), values load capacity are according to ISO 76 and 281/1.

Materials

Outer rings: Case-hardened steel 20CrMnTi, surface hardened at 60-62 HRC.
 Inner rings: Bearing steel UNI 100Cr6, hardened at 60-62 HRC.
 Welding bolts: S355 J2G3, easy weldable, bolt diam. range of tolerance 0/-0.05 mm.
 Profiles: Material 18 MnNb6

| Material | Minimum yield strength | Minimum hardness | Permissible Hertzian surface pressure decarburisation free | Minimum surface hardness decarburisation free inductive tempered | Minimum toughness KV at 0°C |
|------------|------------------------|------------------|--|--|-----------------------------|
| | MPa | HB | MPa | Hv | J |
| 25 MnV5mod | 550 | 210 | 1090 | 520 | 27 |
| 18 MnNb6 | 430 | 160 | 860 | 370 | 40 |

| Material | A _{c3} temperature | C | Mn | V | CEV |
|------------|-----------------------------|------|------|------|-------|
| | C° | % | % | % | % |
| 25 MnV5mod | 825 | 0.28 | 1.60 | 0.10 | ≤0.66 |
| 18 MnNb6 | 870 | 0.12 | 1.50 | 0.05 | ≤0.49 |

Sealing

ZRS-seal Bearing with labyrinth / elastomer-seal, lubricated for lifetime.

Screws

TORX / Screw locking DIN 267-28 Polyamid coating.

Service Temperature

Generally from - 40 °C to +120 °C, for short time usable to +150 °C, high temperature bearings to +250 °C.

Important Information

The standard rollers have a convex contact surface.

Bearings with diameter < 100 mm have to be dismantled before welding.

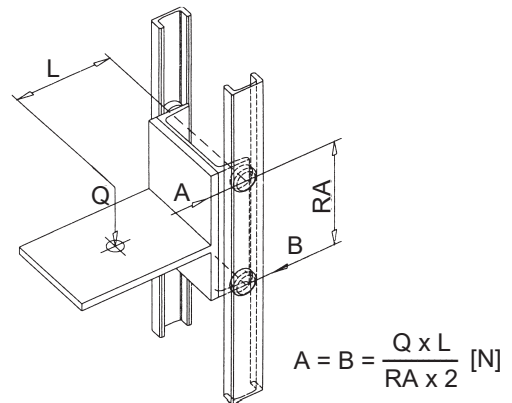
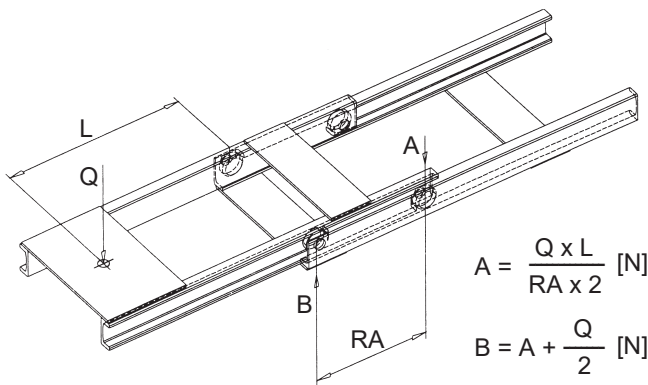
To avoid damage of the bearings we strongly recommend always to order the rollers with mounting plates.

Lubrication

For steel rollers the guideway profiles have to be greased carefully on the contact surface before use.

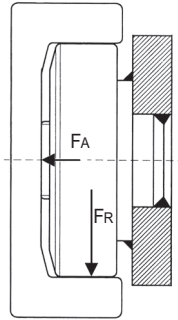
Standard bearings are lubricated with lithium-grease, grade 3.

Technical dimensioning



- Q = Load with dead weight [N]
- L = Load distance [mm]
- RA = Roller distance [mm]
- A, B = Load capacity roller/profile [N]

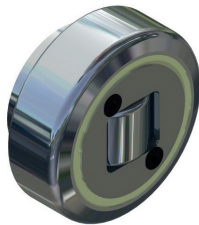
Selection of type



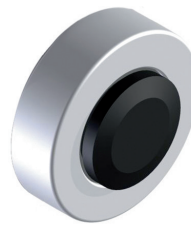
Rail



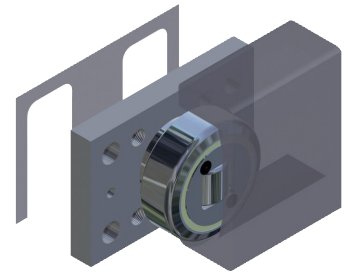
Steel Roller



Polyamide Roller



Mounting Plate

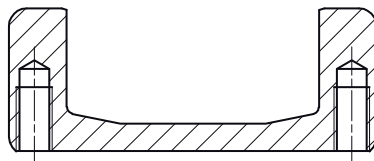


For Rollers in Vulkollan® material please contact Rollco.Profile Machining
The profiles are manufactured according to your specifications. Please define the favoured pitch.

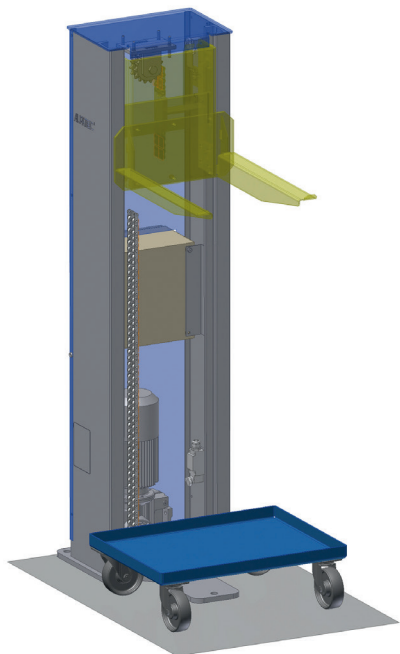
Profile machining

The profiles are manufactured according to your specifications. Please define the favoured pitch.

Example of machining:



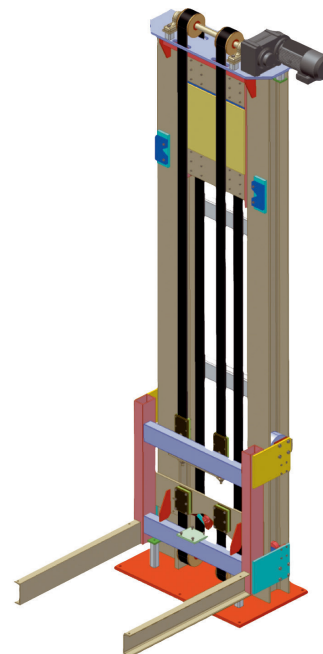
Application examples



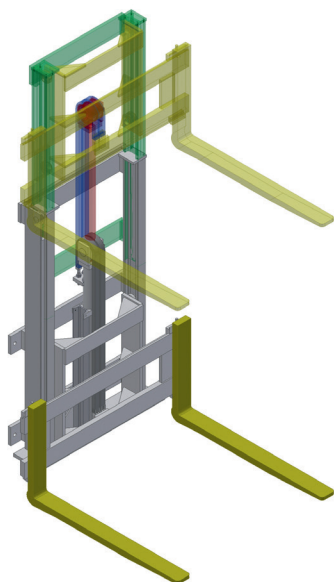
Box lifter. Electrical/pneumactical.
Up to 350 kg lifting capacity.



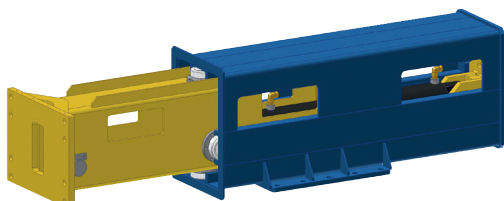
Telescope unit, vertical.



Lift systems. Belt transmission.
Up to 5000 kg lifting capacity.



Lift system, hydraulic.



Telescope unit, horizontal.



Lift system, hydraulic.

Rail and Rollers

UP070.700 - 2 - TR070.200 - BQ1000 - 2 - KS070.3650

| | | | | | | |
|-------------------------------------|-----------|---|-----------|--------|---|------------|
| Rail | UP070.700 | 2 | TR070.200 | BQ1000 | 2 | KS070.3650 |
| Number of rollers | | | | | | |
| Roller | | | | | | |
| Fixing element (optional) | | | | | | |
| Number of clamp consoles (optional) | | | | | | |
| Clamp console (optional) | | | | | | |

**ALWAYS THE RIGHT
SOLUTION AT THE RIGHT TIME.**

ROLLCO

LINEAR SOLUTIONS **YOUR WAY**

With reliability, competence and commitment Rollco rapidly delivers the right solutions and components to create safe and cost-effective automation and linear movement.

Rollco AB

Box 22234
Ekvändan 17
250 24 Helsingborg
Sweden
Tel. +46 42 15 00 40
www.rollco.se

Rollco A/S

Skomagervej 13 E
7100 Vejle
Denmark
Tel. +45 75 52 26 66
www.rollco.dk

Rollco Oy

Sarankulmankatu 12
33900 Tampere
Finland
Tel. +358 207 57 97 90
www.rollco.fi

Rollco Norge AS

Industrigata 6
3414 Lierstrada
Norway
Tel. +47 32 84 00 34
www.rollco.no

Rollco Taiwan

No. 28, Lane 125, Da-an Road
Shulin District 238
New Taipei City, Taiwan
Tel. +886-2-8687-2726
Fax +886-2-8687-2720
www.rollco-tw.com